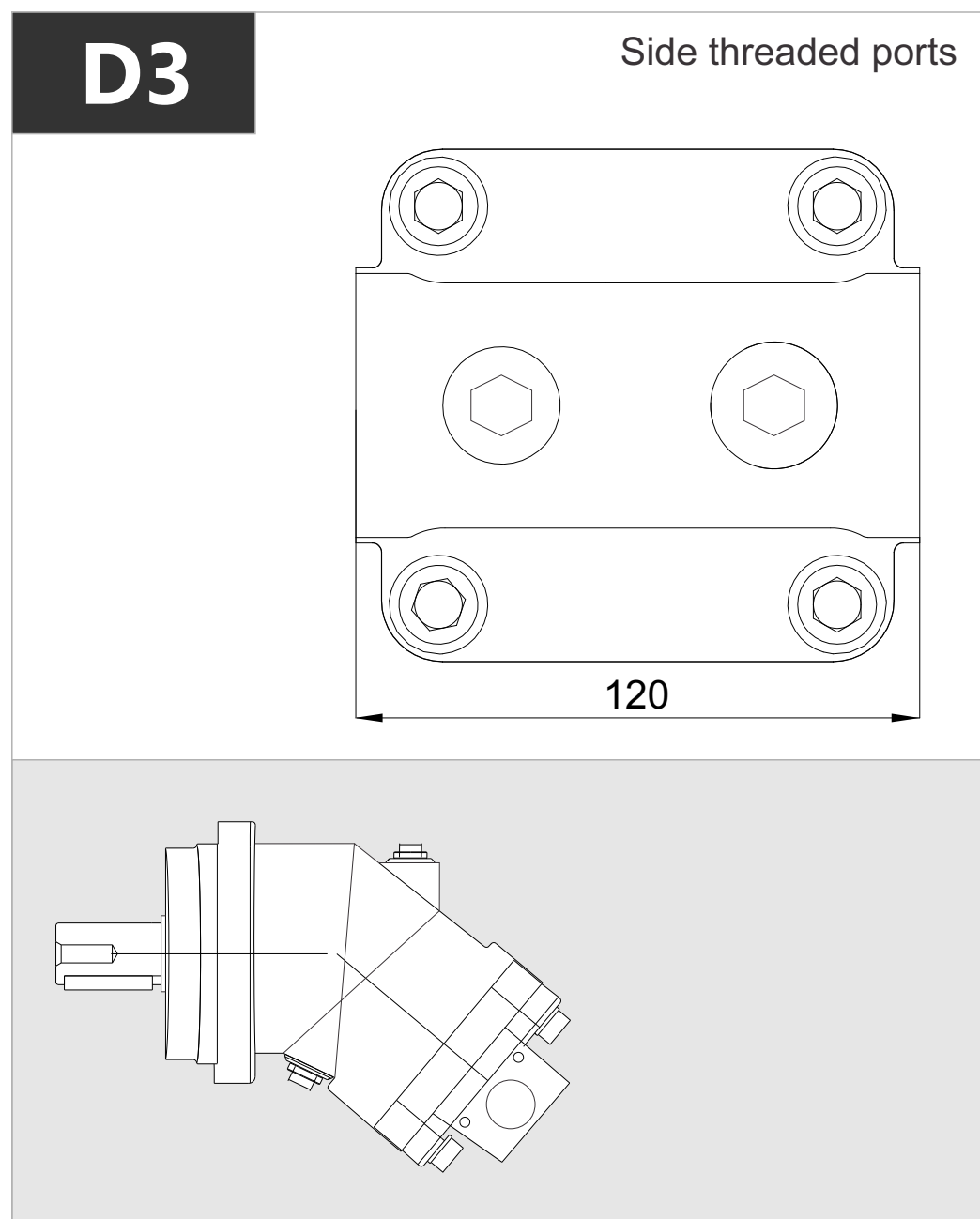
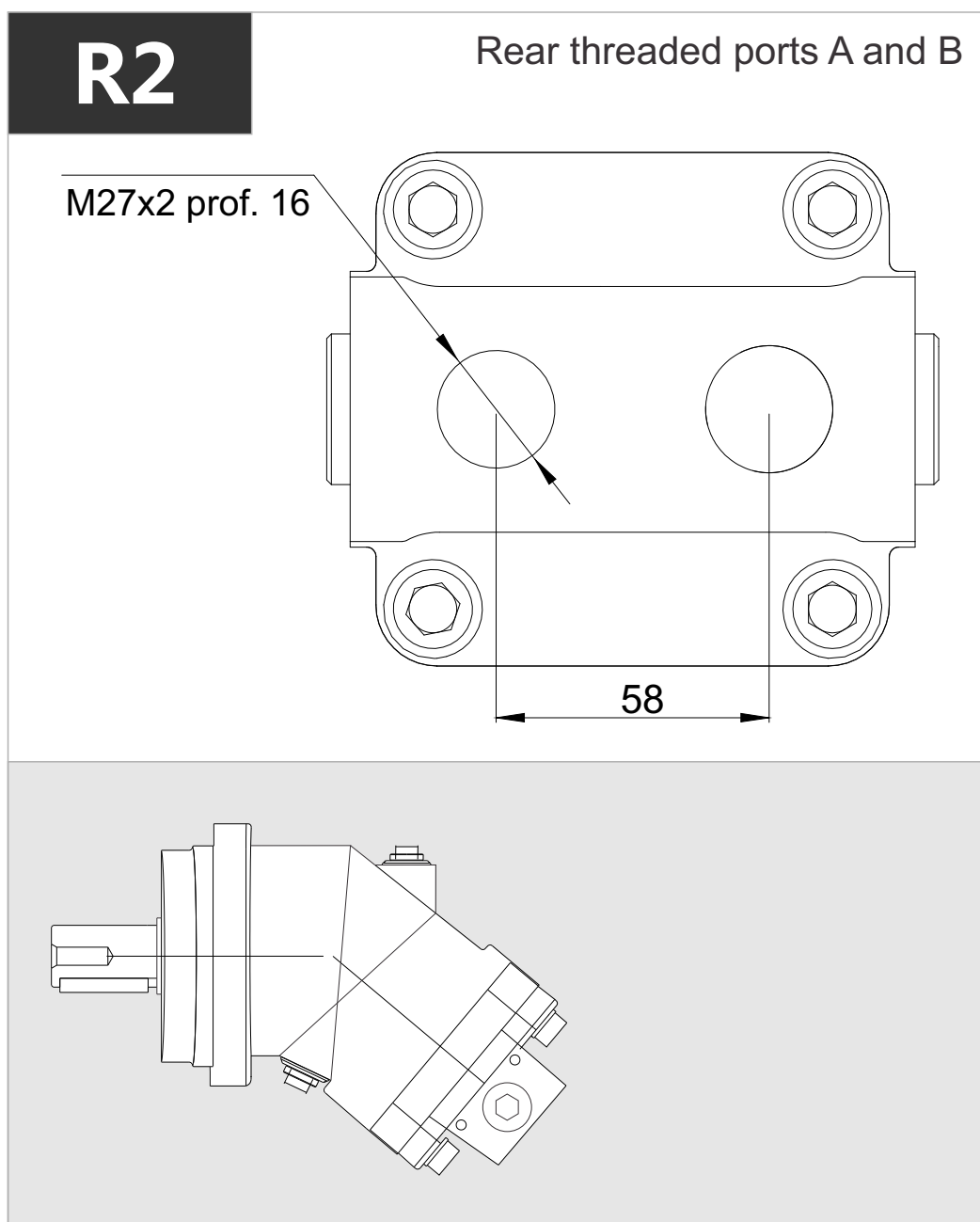
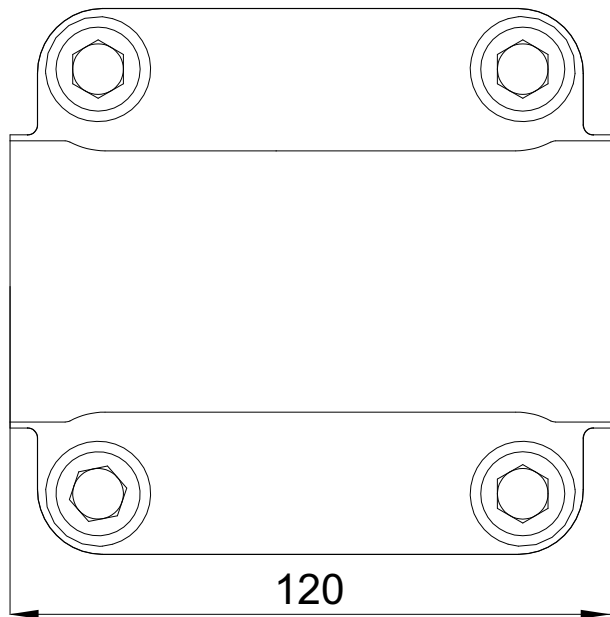


<i>x 1000 rpm</i>	<i>x 1500 rpm</i>	<i>Max. Contin. Pump Speed</i>	<i>Max. Intermit. Pump Speed</i>	<i>Max. Contin. Pressure</i>	<i>Max. Peak Pressure</i>	<i>Torque bar</i>	<i>Torque at 350 bar</i>	<i>Max. Flow</i>	<i>Weight without accessor.</i>	<i>Weight with accessor.</i>	<i>Max. Motor Temp.</i>	<i>Min. Motor Temp.</i>
25,00 cc	37,50 cc	6250 rpm	6800 rpm	400 bar	450 bar	0.40 m.N/bar	140 m.N	156	11,50 kg	11,80 kg	-25°	110°



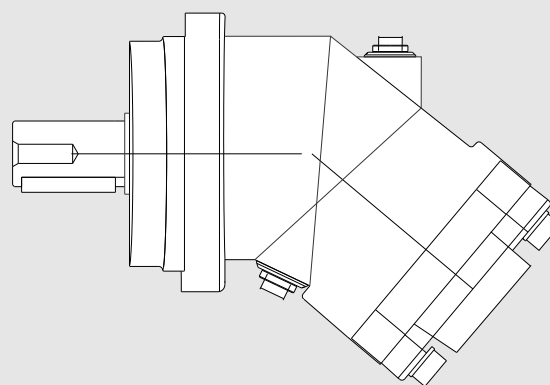
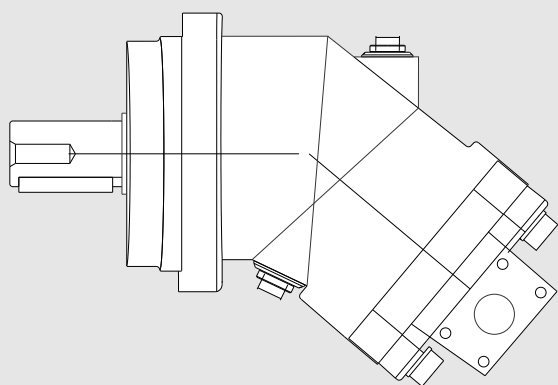
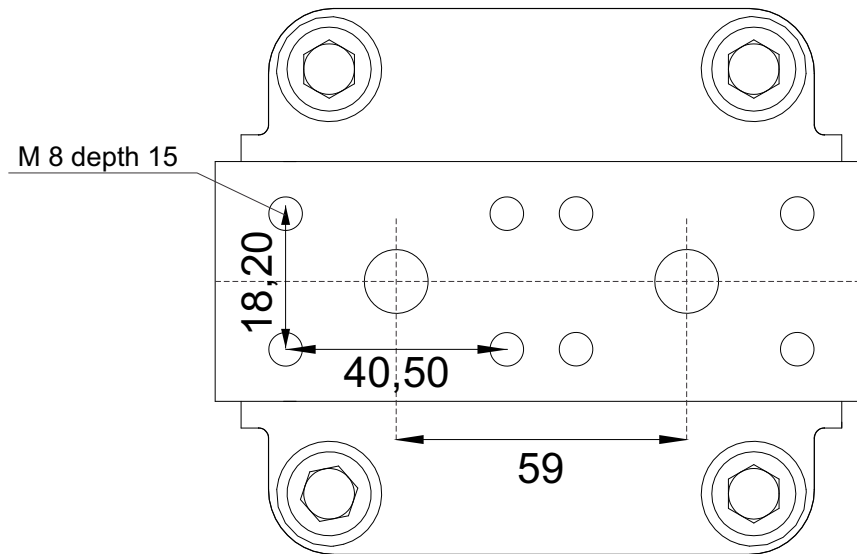
D1-D2

Side flange ports A and B
SAE 1/2" 6000 PSI



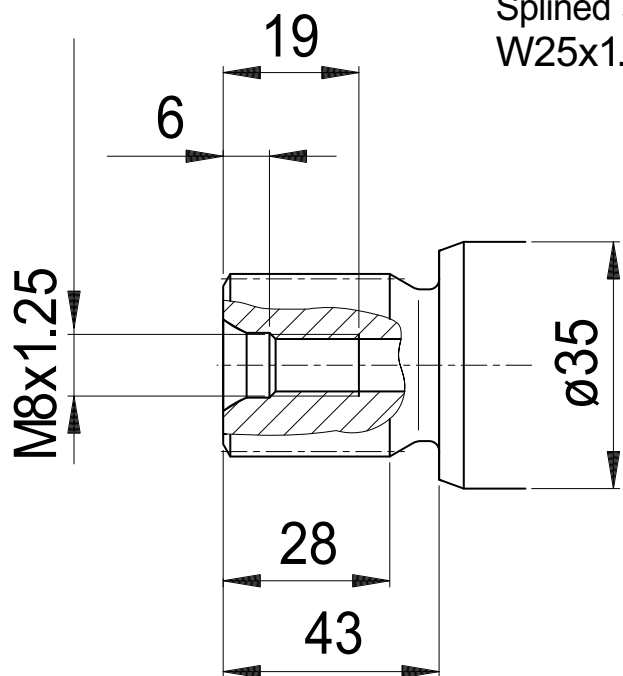
R1

Rear flange ports A and B
SAE 1/2" 6000 PSI



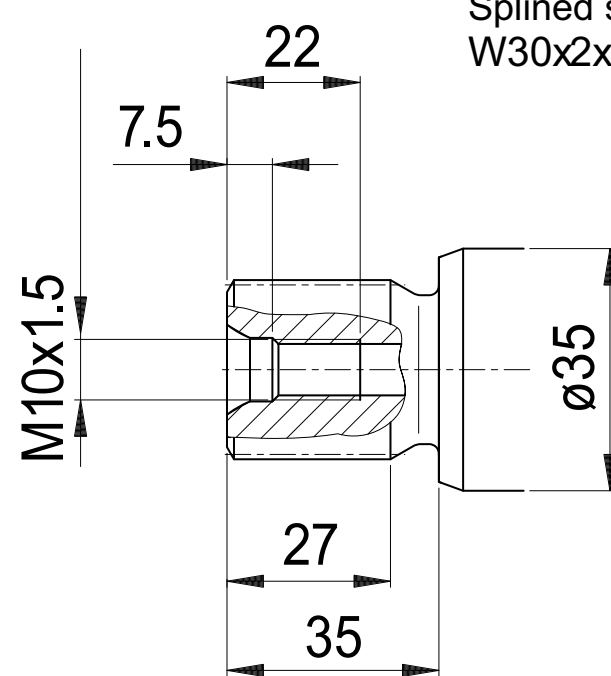
S1

Splined shaft DIN 5480
W25x1.25x18x9g



S2

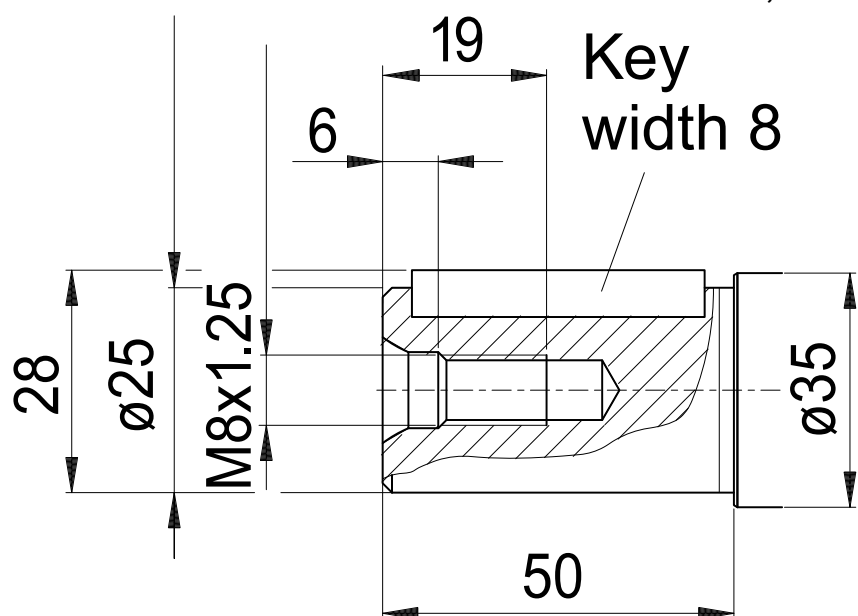
Splined shaft DIN 5480
W30x2x14x9g



K1

Parallel keyed shaft
DIN 6885, As8x7x40

Key
width 8



K2

Parallel keyed shaft
DIN 6885, As8x7x40

Key
width 8

